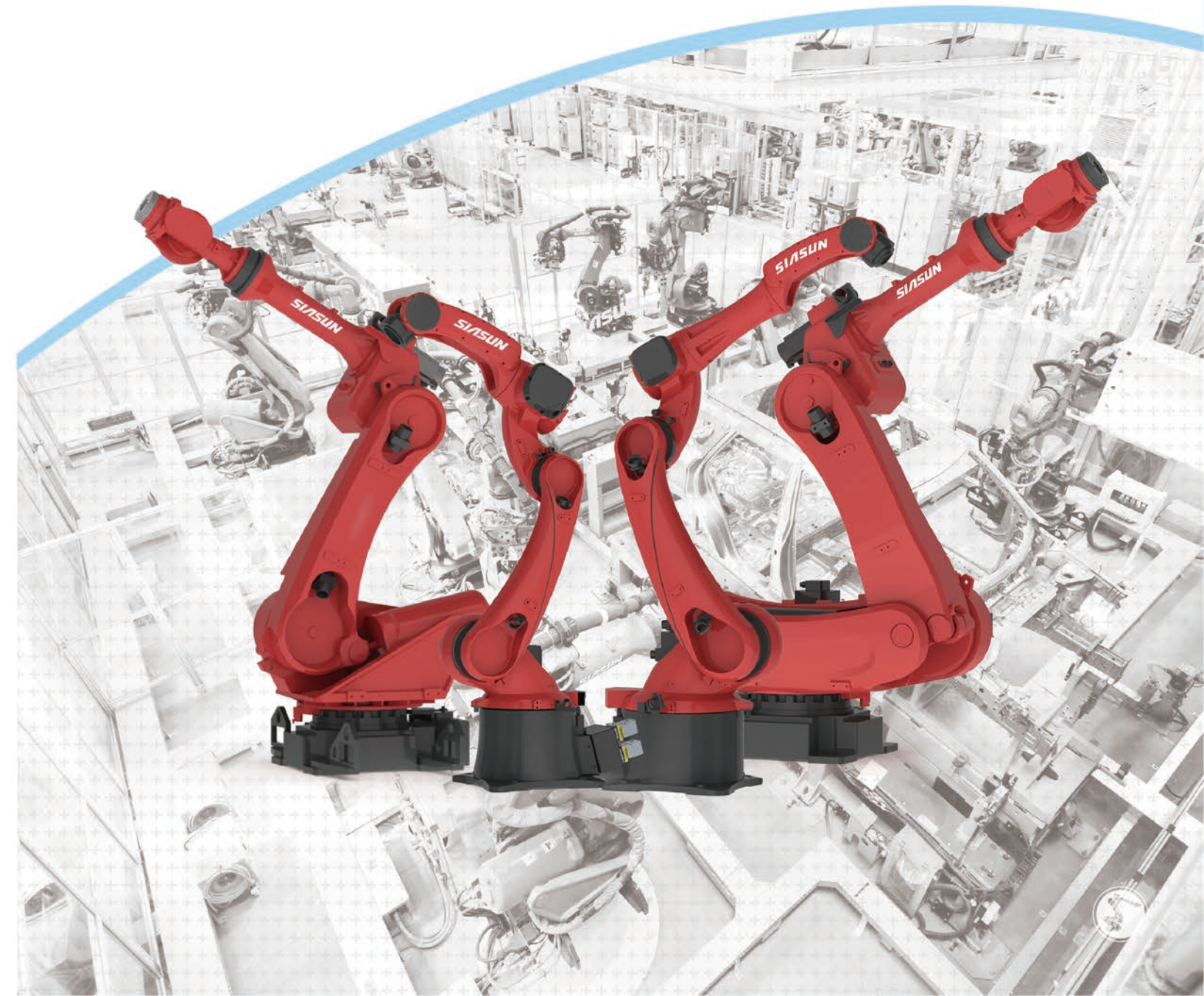




www.siasun.com

新松工业机器人产品综合样本

Product Guide +



新松机器人自动化股份有限公司
SIASUN ROBOT & AUTOMATION CO., LTD.

中国沈阳浑南区全运路33号
NO.33 Quanyun Road, Hunnan District, Shenyang, P.R.China.
Tel: 400-800-8666 E-mail: market@siasun.com

© 2023 SIASUN ROBOT & AUTOMATION CO.,LTD.
XS023001-V1.1

新松服务号



新松订阅号



ENTERPRISE 公司介绍 INTRODUCTION

沈阳新松机器人自动化股份有限公司（以下简称“新松”）成立于2000年，是一家以机器人技术和智能制造解决方案为核心的高科技上市公司。新松拥有国家级研发创新团队，坚持走自主创新之路，书写了中国机器人发展史上百余项“行业首创”！

作为国家机器人产业化基地，新松以智能制造为业务主攻方向，为产业升级提供全体系核心支撑，打造了以自主核心技术、核心零部件、核心产品及行业系统解决方案为一体的全产业价值链。新松拥有自主知识产权的工业机器人、移动机器人、特种机器人三大类核心产品，以及焊接自动化、装配自动化、物流自动化三大应用技术方向，同时面向国家主导产业及战略新兴产业，持续孵化汽车工业、电子工业、半导体、新能源、智慧城市、智慧康养等N+个具有高度竞争力和良好成长性的优势战略业务，构建了健康科学可持续发展的产业体系。

立足中国，服务世界！新松本部位于沈阳，在沈阳、上海、青岛、天津、无锡等国内多个经济热点城市建有产业园区。同时积极布局国际市场，在新加坡、泰国、马来西亚、德国等多地设立海外分子公司及区域中心。在海外拥有专业的项目工程团队和先进的研发生产基地，实现海外项目本地化实施及服务。产品已累计出口全球40多个国家和地区，为4000余家国际企业提供产业升级服务，与多家世界500强企业建立深度合作关系，规模化客户群体占比高达2/3！

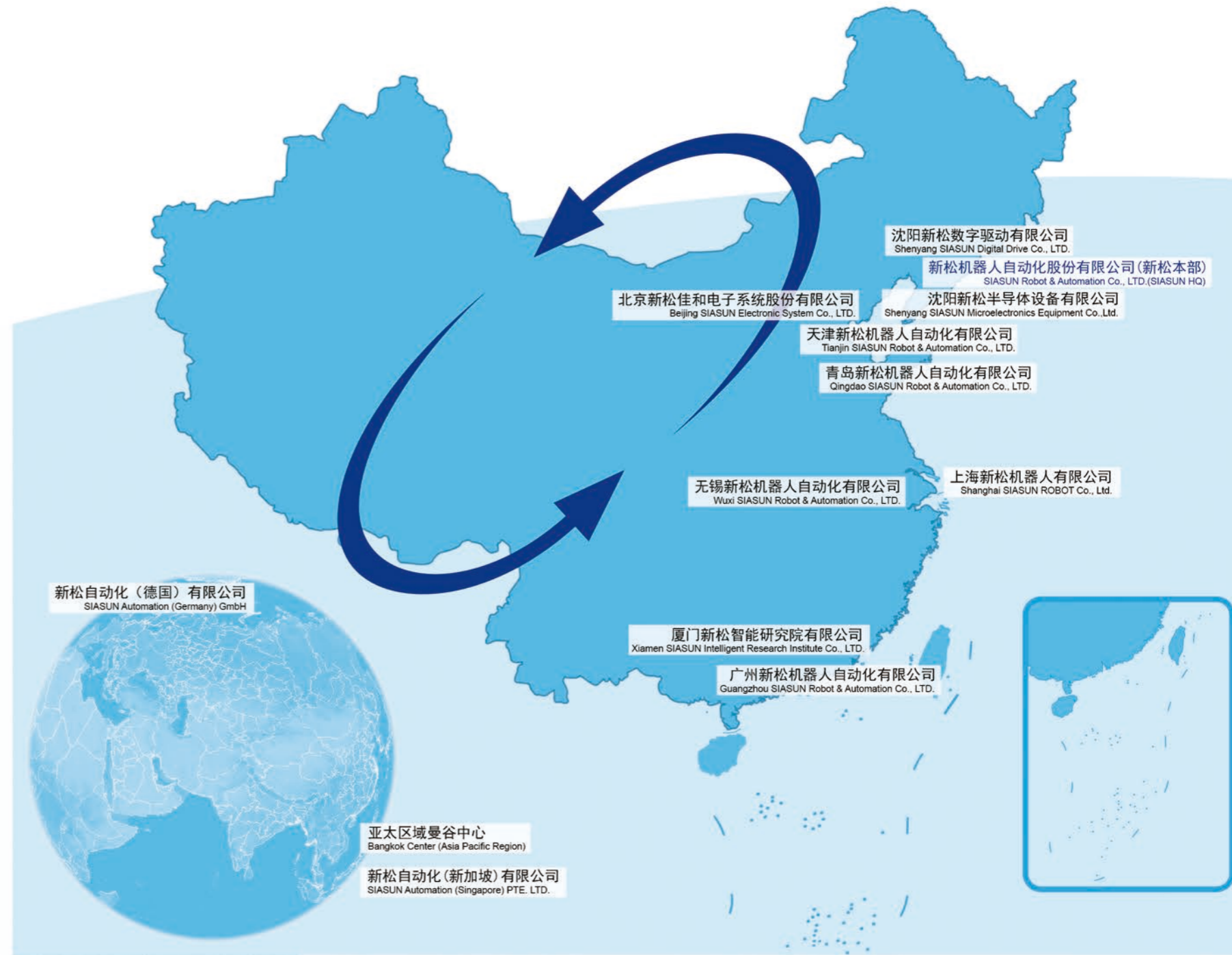
肩负着“机器人让世界更美好”的神圣使命，新松将在新时代新征程上守正创新、拼搏奋进，永葆“中国速度”，永创“中国水平”，剑指行业领先，争创世界一流！

SIASUN Robot & Automation Co., Ltd. (hereinafter referred to as "SIASUN"), established in the year of 2000, which is a high-tech listed enterprise with robotic technology and intelligent manufacturing solutions as the core. SIASUN has a national-level R&D team. SIASUN insists on the road of independent innovation. SIASUN has written more than 100 "industry initiative" in the history of Chinese robot development!

As a National Engineering Center on Robotic, SIASUN takes intelligent manufacturing as its main business direction, provides the core support of the whole system for industrial upgrading, and creates the whole industry value chain consists of core technology, core components, leading products and industry solutions. SIASUN has three core products of industrial robots, mobile robots and special robots with independent intellectual property rights, and three application technology directions of welding automation, assembly automation and logistics automation. SIASUN will continuously incubate more strategic businesses with highly competitive ability & good growth potential in national leading industries and emerging strategic industries such as automotive industry, electronic industry, semiconductor, new energy, smart city, smart healthcare, to build a healthy, scientific and sustainable industrial system.

Based in China, serve the world! SIASUN group HQ locates in Shenyang, and has industrial parks in Shenyang, Shanghai, Qingdao, Tianjin, Wuxi and other domestic economic hot spot cities. On the other hand, SIASUN actively deploying the international market, and has established overseas subsidiaries and regional centers in Singapore, Thailand, Malaysia, Germany and etc. SIASUN has professional project engineering teams and advanced R&D and production bases overseas to realize localized implementation and services for overseas projects. Products have been exported to more than 40 countries and regions around the world, providing industrial upgrading services for more than 4,000 international companies, and establishing in-depth cooperation with many Fortune 500 enterprises, and the proportion of scale customer groups is nearly 70%!

With the sacred mission of "Robots make a better world", SIASUN will keep innovation and strive ahead in the new era and new journey, always maintain the "Chinese speed", always create the "Chinese level", lead the industry and strive to be world-class!



目录 Index >>>

01 公司介绍	Company Introduction	23 应用案例	Application Cases
03 新松工业机器人	SIASUN Industrial Robot BG	31 合作伙伴	Cooperative partner
05 产品系列	Product Series	33 价值与服务	Value and Service
19 技术展示	Technology demonstration	34 资质认证	Qualification

新松工业机器人 Siasun Industrial Robot BG

新松工业机器人，匠心服务于机器人在智能制造领域的应用，于2018年成立天津分公司，目前拥有沈阳和天津两大以工业机器人为主导的大型研发生产基地。新松工业机器人智能产品现已具备智能感知、智能认知、自主决策、自控执行等功能，在各行业进行了深度的应用实践与工艺融合，推出多款工程师系列机器人产品，可为用户量身定制完整先进的行业解决方案。

十余载的工程应用验证，数千个项目工程经验，新松工业机器人凭借领先的技术，为客户提供基于工业机器人产品与工业机器人应用相结合的增值技术服务，得到了全球客户的信任和支持。新松工业机器人，专注于赋能智能制造，是您自动化领域的强力伙伴。

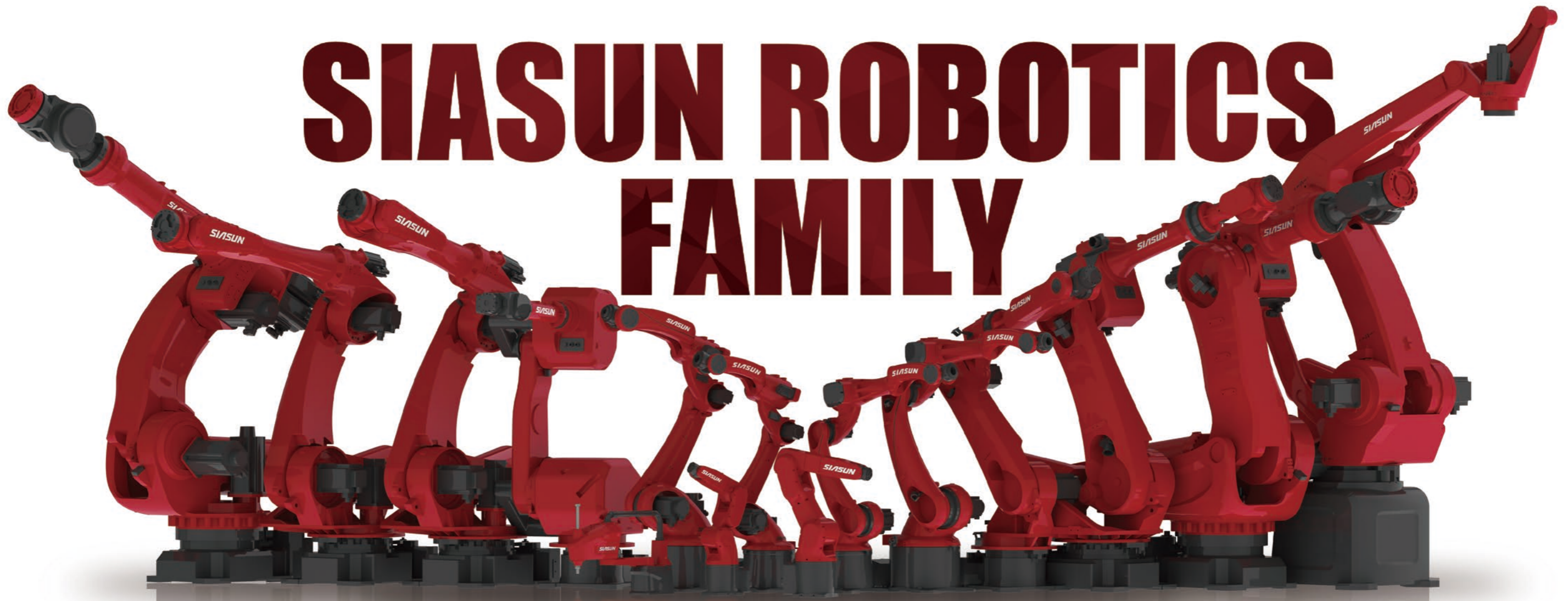
SIASUN Industrial Robot BG, dedicated to the application of robots in the field of intelligent manufacturing, established Tianjin Branch in 2018. It currently has two industrial parks, which are all large-scale R&D and production bases for industrial robots, settled in Shenyang and Tianjin respectively. SIASUN Industrial Robot Intelligent Products now has the functions of intelligent sensing, intelligent cognition, independent decision-making, and self-control execution. It has carried out in-depth application practice and process integration in various industries, and launched a variety of engineer-series of robot products, which can be tailored for users. Customize complete and advanced industry solutions.

With decades verification of engineering application and thousands of project engineering experience, SIASUN Industrial Robot provides customers with value-added technical services based on industrial robot products and industrial robot applications with leading technology, which has won the trust and support of customers all over the world. SIASUN Industrial Robots, focusing on enabling intelligent manufacturing, is a strong partner in your automation field.

- ☆ 产品覆盖负载 4kg 至 500 kg 多种机器人型号。
- ☆ 能够把握关键工序及工艺质量，胜任点焊，弧焊，搬运，码垛，装配，打磨，抛光，涂胶，喷涂，注塑，切割等多种自动化作业。
- ☆ 服务遍及汽车及零部件、重型机械、轨道交通、船舶、航空航天、冶金、电气、新能源、烟草、医药、金融及印刷出版等国民经济领域。



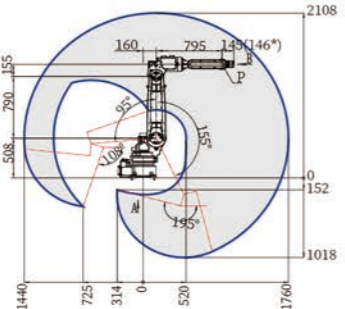
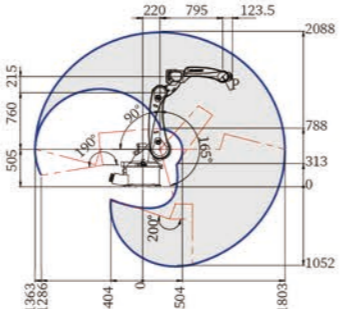
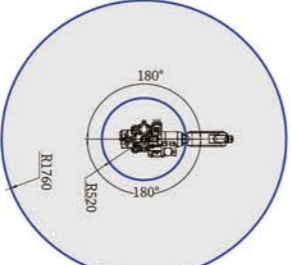
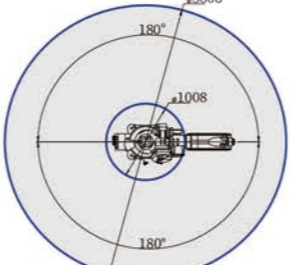
- ☆ Covers a variety of robot models loading from 4kg to 500 kg
- ☆ Can be used for various automation operations such as spot welding, arc welding, handling, palletizing, assembly, grinding, polishing, gluing, spraying, machine loading and unloading, injection molding, cutting, etc.
- ☆ SIASUN industrial robots service various national economic industries such as automobiles and car parts, engineering machinery, rail transit, shipbuilding, aerospace, metallurgy, electrical, new energy, tobacco, medicine, finance, printing and publishing, etc.




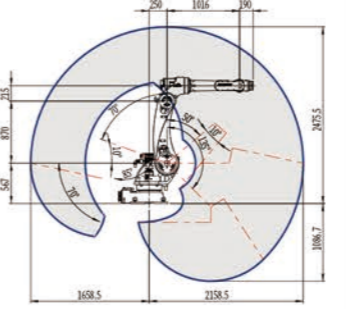
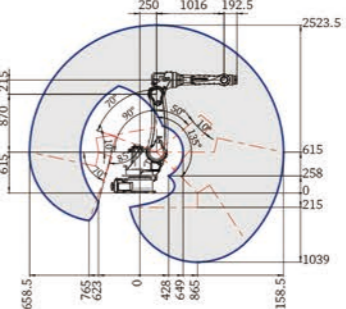
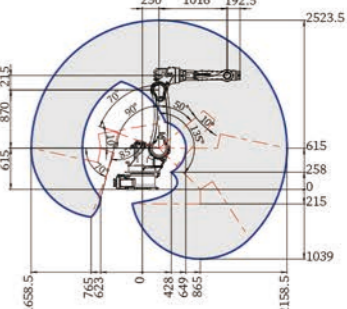
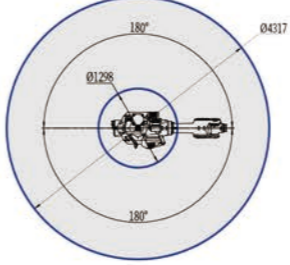
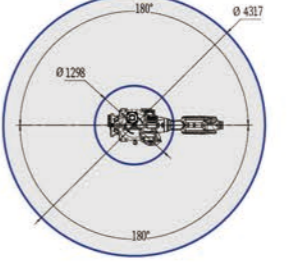
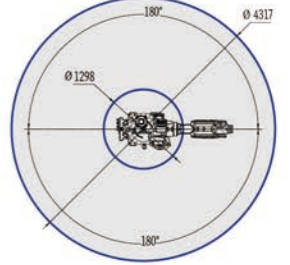
SIASUN ROBOTICS FAMILY



<p>产品特色 Features and Benefits</p> <p>新松公司自主研发的6轴轻量型工业机器人,采用安全流线型设计,机身轻量紧凑、纤细小巧、中空结构的手腕,有效利用空间死角可在狭窄区域进行作业。具有其极高的灵活性、安全性、精确度等特征,特别适用于工作空间有限的柔性化生产线,满足精密装配、检测、搬运、上下料等工业操作需求,为提高生产效率做出贡献。</p> <p>SIASUN 6-axis light weight industrial robot with a safe and streamlined design. The body is lightweight, compact, and the wrist of the hollow structure can effectively use the space dead angle to operate in a narrow area. The robot has high flexibility, safety, high accuracy and other characteristics. It is especially suitable for flexible production line with limited working space, which can meet the requirements of precision assembly, inspection, handling, loading and unloading, to contribute to improving production efficiency.</p>		
型号Type	SN7A-4/0.59 SN7A-7/0.90	
负载能力Payload	4kg 7kg	
重复定位精度Repeatability	±0.02mm ±0.02mm	
最大工作半径Reach	596mm 906mm	
自由度DOF	6 6	
运动范围 Range of Motion	J1	±170° ±170°
	J2	+80°, -144° +96°, -130°
	J3	+265°, -119° (联合) +291°, -150° (联合)
	J4	+194°, -54° (单轴) +165°, -65° (单轴)
	J5	±170° ±170°
	J6	±119° ±120°
最大运动速度 Maximum Moving Speed	J1	400°/s 267°/s
	J2	326°/s 223°/s
	J3	410°/s 315°/s
	J4	450°/s 400°/s
	J5	330°/s 400°/s
	J6	640°/s 600°/s
手腕允许力矩 Allowable Moment	J4	4.4N·m 24N·m
	J5	4.4N·m 15.2N·m
	J6	2.9N·m 9.7N·m
手腕允许惯量 Allowable Inertia (GD²/4)	J4	0.15 kg·m² 0.75 kg·m²
	J5	0.15 kg·m² 0.26 kg·m²
	J6	0.1 kg·m² 0.067 kg·m²
本体重量 Body Weight	32kg 49kg	
电源容量 Power	1.25KVA 1.3KVA	
防护等级(腕部) Protection(Wrist)	IP67 IP67	
预装信号线(1轴→4轴处) Reserved Signal Wire	8芯, 单芯线径0.12mm² 8 cores, 0.12mm² per conductor	8芯, 单芯线径0.12mm² 8 cores, 0.12mm² per conductor
安装方式 Installation Position	正装、倒装、Floor, Ceiling	正装、倒装、Floor, Ceiling
控制器型号 Controller Type	SRC C5	SRC C5
<p>*如果需要倒装或侧装,运动参数会受限,具体联系技术支持。 *If the robot needs to be installed on the ceiling or wall, the motion parameters will be limited. Please contact technical support for details.</p>		
应用领域 Applications	搬运 上下料 装配... Handling, Loading and Unloading, Assembly ...	

<p>产品特色 Features and Benefits</p> <p>全新的优美造型设计;动作速度出类拔萃,满足苛刻的生产节拍;网络化控制系统,丰富的外部接口及扩展能力;完全开放的自主系统,支持各种应用开发;SIASUN Robot Virtual Work Station,支持CAD模型重建及基于CAD模型的机器人免示教作业;支持视觉、力觉等各种智能传感信息;性价比高,质优价廉的备件;主动及时的本地化客户服务,免您后顾之忧。</p> <p>Bran-new graceful style design; Meet harsh TAKT with rapid speed; Networked Control Systems, abundant external interface with high extension capability; Completely open independent control system could support multiple application development; SIASUN Robot Virtual work station support CAD model reconstruction and non-teach job on basis of CAD modeling; Support the information processing of intelligent sensor on vision and force sensation; High cost-effective, spare parts are low cost and high quality; Active and localization of timely customer service, avoid you trouble back at home.</p>		
型号Type	SR12A-12/1.46 SR25A-12/2.01	
负载能力Payload	12kg 12kg	
重复定位精度Repeatability	±0.03mm ±0.07mm	
最大工作半径Reach	1465mm 2010mm	
运动范围 Range of Motion	J1	±180° ±180°
	J2	+90°, -170° +90°, -165°
	J3	+180°, -200° (联合) +190°, -200° (联合)
	J4	+150°, -90° (单轴) +160°, -85° (单轴)
	J5	±180° ±180°
	J6	+145°, -160° +145°, -160°
最大运动速度 Maximum Moving Speed	J1	200°/s 200°/s
	J2	200°/s 220°/s
	J3	220°/s 220°/s
	J4	400°/s 400°/s
	J5	430°/s 430°/s
	J6	720°/s 720°/s
手腕允许力矩 Allowable Moment	J4	23N·m 23N·m
	J5	20N·m 17N·m
	J6	9N·m 9N·m
手腕允许惯量 Allowable Inertia (GD²/4)	J4	0.4kg·m² 0.4kg·m²
	J5	0.38kg·m² 0.35kg·m²
	J6	0.10kg·m² 0.1kg·m²
本体重量Body Weight	120kg 250kg	
电源容量Power	2KVA 3KVA	
防护等级(腕部) Protection(Wrist)	IP65 IP65	
预装信号线(1轴→3轴处) Reserved Signal Wire	16芯, 单芯线径0.2mm² (选配) 16 cores, 0.2mm² per conductor	16芯, 单芯线径0.2mm²
安装方式 Installation Position	正装、倒装、侧装 Floor, Ceiling, Wall	正装、倒装、Floor, Ceiling
控制器型号 Controller Type	SRC M5/SRC E5	SRC E5
<p>*如果需要倒装或侧装,运动参数会受限,具体联系技术支持。 *If the robot needs to be installed on the ceiling or wall, the motion parameters will be limited. Please contact technical support for details.</p>		
应用领域 Applications	弧焊 搬运 上下料 打磨 码垛 涂胶 装配 ... Arc Welding, Handling, Loading and Unloading, Grinding, Palletizing, Gluing, Assembly...	

产品特点		全新的优美造型设计; 动作速度出类拔萃, 满足苛刻的生产节拍; 网络化控制系统, 丰富的外部接口及扩展能力; 完全开放的自主系统, 支持各种应用开发; SIASUN Robot Virtual Work Station, 支持CAD模型重建及基于CAD模型的机器人免示教作业; 支持视觉、力觉等各种智能传感信息; 性价比高, 质优价廉的备件; 主动及时的本地化客户服务, 免您后顾之忧。	
			
型号Type	SR25-20/1.76	SR25A-20/1.80	
负载能力 Payload	20kg	20kg	
重复定位精度 Repeatability	±0.05mm	±0.05mm	
最大工作半径 Reach	1760mm	1803mm	
运动范围 Range of Motion	J1	±180°	±180°
	J2	+95°, -155°	+90°, -165°
	J3	+252°, -195° (联合)	+190°, -200° (联合)
	J4	+155°, -65° (单轴)	+160°, -85° (单轴)
	J5	±175°	±180°
	J6	±135°	±180°
最大运动速度 Maximum Moving Speed	J1	195°/s	200°/s
	J2	175°/s	220°/s
	J3	180°/s	220°/s
	J4	360°/s	380°/s
	J5	320°/s	420°/s
	J6	550°/s	550°/s
手腕允许力矩 Allowable Moment	J4	43.7N·m	52N·m
	J5	43.7N·m	52N·m
	J6	19.6N·m	32N·m
手腕允许惯量 Allowable Inertia (GD²/4)	J4	1.09kg·m²	2.4kg·m²
	J5	1.09kg·m²	2.4kg·m²
	J6	0.24kg·m²	1.2kg·m²
本体重量Body Weight	270kg	250kg	
电源容量Power	3KVA	3KVA	
防护等级(腕部) Protection(Wrist)	IP65	IP65	
预装信号线(1轴→3轴处) Reserved Signal Wire	32芯, 单芯线径0.12mm² 32cores, 0.12mm² per conductor	16芯, 单芯线径0.2mm² 16cores, 0.2mm² per conductor	
安装方式 Installation Position	正装、倒装、Floor, Ceiling	正装、倒装、Floor, Ceiling	
控制器型号 Controller Type	SRC M5	SRC E5	
应用域 Applications	 		
	 		
<p>*如果需要倒装或侧装, 运动参数会受限, 具体联系技术支持。 *If the robot needs to be installed on the ceiling or wall, the motion parameters will be limited. Please contact technical support for details.</p>			
<p>应用领域 Applications: 弧焊 搬运 上下料 打磨 码垛 涂胶 装配 ... Arc Welding, Handling, Loading and Unloading, Grinding, Palletizing, Gluing, Assembly...</p>			

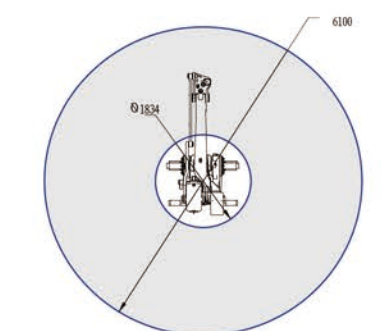
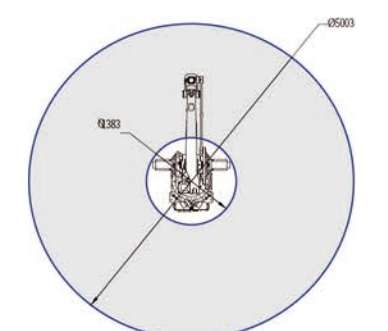
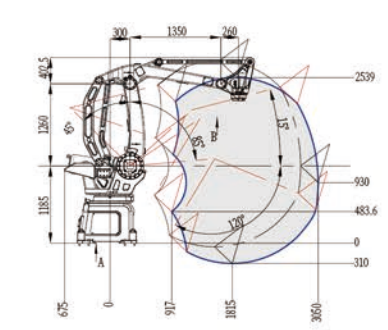
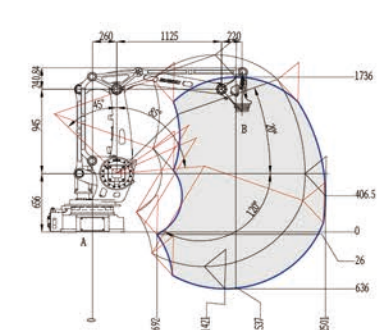
Features and Benefits		Brand-new graceful style design; Meet harsh TAKT with rapid speed; Networked Control Systems, abundant external interface with high extension capability; Completely open independent control system could support multiple application development; SIASUN Robot Virtual work station support CAD model reconstruction and non-teach job on basis of CAD modeling; Support the information processing of intelligent sensor on vision and force sensation; High cost-effective, spare parts are low cost and high quality; Active and localization of timely customer service, avoid you trouble back at home.		
				
型号Type	SR50A-50/2.15	SR50-50/2.15	SR50-80/2.15	
负载能力 Payload	50kg	50kg	80kg	
重复定位精度 Repeatability	±0.05mm	±0.1mm	±0.1mm	
最大工作半径 Reach	2158mm	2158mm	2158mm	
运动范围 Range of Motion	J1	±180°	±180°	±180°
	J2	+90°, -135°	+90°, -135°	+90°, -135°
	J3	+255°, -180° (联合)	+255°, -180° (联合)	+255°, -180° (联合)
	J4	+185°, -80° (单轴)	+185°, -80° (单轴)	+185°, -80° (单轴)
	J5	±360°	±360°	±360°
	J6	±125°	±125°	±125°
最大运动速度 Maximum Moving Speed	J1	172°/s	170°/s	170°/s
	J2	160°/s	170°/s	120°/s
	J3	188°/s	170°/s	120°/s
	J4	260°/s	250°/s	240°/s
	J5	260°/s	250°/s	200°/s
	J6	370°/s	350°/s	300°/s
手腕允许力矩 Allowable Moment	J4	218N·m	206N·m	294N·m
	J5	218N·m	206N·m	294N·m
	J6	110N·m	127N·m	147N·m
手腕允许惯量 Allowable Inertia (GD²/4)	J4	30kg·m²	28kg·m²	28kg·m²
	J5	30kg·m²	28kg·m²	28kg·m²
	J6	9kg·m²	11kg·m²	11kg·m²
本体重量Body Weight	530kg	590kg	590kg	
电源容量Power	5KVA	5KVA	5KVA	
防护等级(腕部) Protection(Wrist)	IP65	IP65	IP65	
预装信号线(1轴→3轴) Reserved Signal Wire	32芯, 单芯线径0.2mm² 32cores, 0.2mm² per conductor	32芯, 单芯线径0.2mm² 32cores, 0.2mm² per conductor	32芯, 单芯线径0.2mm² 32cores, 0.2mm² per conductor	
安装方式 Installation Position	正装、倒装、Floor, Ceiling	正装、倒装、Floor, Ceiling	正装、倒装、Floor, Ceiling	
控制器型号 Controller Type	SRC E5	SRC E5	SRC E5	
应用域 Applications	  			
	  			
<p>*如果需要倒装或侧装, 运动参数会受限, 具体联系技术支持。 *If the robot needs to be installed on the ceiling or wall, the motion parameters will be limited. Please contact technical support for details.</p>				
<p>应用领域 Applications: 搬运 上下料 打磨 码垛 涂胶 装配 包装 ... Handling, Loading And Unloading, Grinding, Palletizing, Gluing, Assembly, Packing ...</p>				

产品特色 全新的优美造型设计;动作速度出类拔萃,满足苛刻的生产节拍;网络化控制系统,丰富的外部接口及扩展能力;完全开放的自主系统,支持各种应用开发;SIASUN Robot Virtual Work Station,支持CAD模型重建及基于CAD模型的机器人免示教作业;支持视觉、力觉等各种智能传感信息;性价比高,质优价廉的备件;主动及时的本地化客户服务,免您后顾之忧。		
型号Type	SR210-120/3.05	SR210-165/2.65
负载能力 Payload	120kg	165kg
重复定位精度 Repeatability	±0.08mm	±0.06mm
最大工作半径 Reach	3053mm	2658mm
运动范围 Range of Motion	J1	±180°
	J2	+60°,-76°
	J3	+230°,-142°(联合) +165°,-78°(单轴)
	J4	±355°
	J5	±125°
	J6	±360°
最大运动速度 Maximum Moving Speed	J1	105°/s
	J2	90°/s
	J3	90°/s
	J4	170°/s
	J5	165°/s
	J6	260°/s
手腕允许力矩 Allowable Moment	J4	588N·m
	J5	588N·m
	J6	343N·m
手腕允许惯量 Allowable Inertia (GD ² /4)	J4	59kg·m ²
	J5	59kg·m ²
	J6	22kg·m ²
本体重量Body Weight	1300kg	1250kg
电源容量Power	8KVA	8KVA
防护等级(腕部) Protection(Wrist)	IP65	IP65
预装信号线(1轴→4轴) Reserved Signal Wire	32芯,单芯线径0.2mm ²	32芯,单芯线径0.2mm ²
安装方式 Installation Position	正装 Floor	正装 Floor
控制器型号 Controller Type	SRC E5	SRC E5
应用域 Applications	点焊 搬运 码垛 上下料 打磨 装配... Spot Welding, Handling, Palletizing, Loading And Unloading, Gluing, Assembly...	

Features and Benefits Bran-new graceful style design; Meet harsh TAKT with rapid speed; Networked Control Systems, abundant external interface with high extension capability; Completely open independent control system could support multiple application development; SIASUN Robot Virtual work station support CAD model reconstruction and non-teach job on basis of CAD modeling; Support the information processing of intelligent sensor on vision and force sensation; High cost-effective, spare parts are low cost and high quality; Active and localization of timely customer service, avoid you trouble back at home.		
型号Type	SR210A-210/2.65	SR210A-210/3.05-DW
负载能力 Payload	210kg	210kg
重复定位精度 Repeatability	±0.06mm	±0.06mm
最大工作半径 Reach	2658mm	3050mm
运动范围 Range of Motion	J1	±180°
	J2	+60°,-76°
	J3	+230°,-142°(联合) +165°,-78°(单轴)
	J4	±355°(±180°)*
	J5	±125°
	J6	±360°(±180°)*
最大运动速度 Maximum Moving Speed	J1	100°/s
	J2	90°/s
	J3	85°/s
	J4	120°/s
	J5	120°/s
	J6	190°/s
手腕允许力矩 Allowable Moment	J4	1274N·m
	J5	1274N·m
	J6	686N·m
手腕允许惯量 Allowable Inertia (GD ² /4)	J4	120kg·m ²
	J5	120kg·m ²
	J6	70kg·m ²
本体重量Body Weight	1400kg	1500kg
电源容量Power	8KVA	8KVA
防护等级(腕部) Protection(Wrist)	IP67	IP67
预装信号线(1轴→3轴处) Reserved Signal Wire	32芯,单芯线径0.2mm ²	32芯,单芯线径0.2mm ²
安装方式 Installation Position	正装 Floor	正装 Floor
控制器型号 Controller Type	SRC G5(松下电机)/SRC E5(国产电机)	SRC G5
应用域 Applications	点焊 搬运 上下料 打磨 码垛 涂胶 装配 包装... Spot Welding, Handling, Loading And Unloading, Grinding, Palletizing, Gluing, Assembly, Packing ...	

产品特色 全新的优美造型设计;动作速度出类拔萃,满足苛刻的生产节拍;网络化控制系统,丰富的外部接口及扩展能力;完全开放的自主系统,支持各种应用开发;SIASUN Robot Virtual Work Station,支持CAD模型重建及基于CAD模型的机器人免示教作业;支持视觉、力觉等各种智能传感信息;性价比高,质优价廉的备件;主动及时的本地化客户服务,免您后顾之忧。		
型号Type	SR500A-360/2.83	SR500A-500/2.52
负载能力 Payload	360kg	500kg
重复定位精度 Repeatability	±0.1mm	±0.1mm
自由度数 DOF	6	6
最大工作半径 Reach	2833mm	2525mm
运动范围 Range of Motion	J1	±180°
	J2	+50°, -90°
	J3	+220°, -145° (联合) +170°, -70° (单轴)
	J4	±360°
	J5	±120°
	J6	±360°
最大运动速度 Maximum Moving Speed	J1	75°/s
	J2	65°/s
	J3	65°/s
	J4	120°/S
	J5	110°/S
	J6	160°/s
手腕允许力矩 Allowable Moment	J4	2400N·m
	J5	2400N·m
	J6	1420N·m
手腕允许惯量 Allowable Inertia(GD ² /4)	J4	510kg·m ²
	J5	510kg·m ²
	J6	320kg·m ²
本体重量Body Weight	2450kg	2450kg
防护等级(腕部) Protection(Wrist)	IP67	IP67
预装信号线(1轴→3轴处) Reserved Signal Wire	32芯,单芯线径0.2mm ² 32cores, 0.2mm ² per conductor	32芯,单芯线径0.2mm ² 32cores, 0.2mm ² per conductor
电源容量Power	15KVA	15KVA
安装方式 Installation Position	正装 Floor	正装 Floor
控制器型号 Controller Type	SRC L5	SRC L5
应用领域 Applications	点焊 涂胶 搬运 码垛 机加 锻造 铸造 ... Spot Welding, Gluing, Handling, Palletizing, Machining, Forging, Casting...	

Features and Benefits Brand-new graceful style design; Meet harsh TAKT with rapid speed; Networked Control Systems, abundant external interface with high extension capability; Completely open independent control system could support multiple application development; SIASUN Robot Virtual work station support CAD model reconstruction and non-teach job on basis of CAD modeling; Support the information processing of intelligent sensor on vision and force sensation; High cost-effective, spare parts are low cost and high quality; Active and localization of timely customer service, avoid you trouble back at home.		
型号Type	SP120-120/2.50	SP160-160/3.05
负载能力 Payload	120kg	160kg
工作范围(水平) Range	2500mm	3050mm
重复定位精度 Repeatability	±0.1mm	±0.2mm
自由度数 DOF	4	4
标准循环 Standard cycle*	1600次/小时	1150次/小时
每轴最大运动范围 Range of Motion	J1	±180°
	J2	+45°, -85°
	J3	+20°, -120° (联合) ±65° (单轴)
	J4	±360°
每轴最大运动速度 Maximum Moving Speed	J1	150°/s
	J2	129°/s
	J3	129°/s
	J4	400°/s
本体重量Body Weight	1000kg	2300kg
电源容量Power	8KVA	8KVA
防护等级(腕部) Protection(Wrist)	IP53	IP53
预装信号线(1轴→4轴处) Reserved Signal Wire	32芯,单芯线径0.2mm ² 32cores, 0.2mm ² per conductor	32芯,单芯线径0.2mm ² 32cores, 0.2mm ² per conductor
安装方式 Installation Position	正装 Floor	正装 Floor
控制器型号 Controller Type	SRC G5 (松下电机)/SRC E5 (禾川电机)	SRC E5
应用领域 Applications	搬运 码垛 ... Handling, Palletizing ...	



*ISO9283

SIASUN 新一代控制系统

SIASUN Industrial Controller

开放、安全、更灵巧
Open, Safe, Dexterous

高效、高稳定性、灵活性高
Efficient, Stable, Flexible

内循环隔离式散热, 可有效防尘
Inner loop isolation heat dissipation, effective dust prevention

丰富的外部接口, 支持应用的扩展与定制
Abundant external interfaces, supporting application expansion and customization

型号 Type	*1	SRC C5
	*2	SRC M5
	*3	SRC E5
	*4	SRC G5
	*5	SRC L5
概略重量 Weight	*1	15kg
	*2	70kg
	*3	80kg
	*4	180kg
	*5	170kg
电源 Power	*1	单相AC220V (-15%~+10%), 50/60Hz Single-phase AC220V (-15% - + 10%), 50/60 Hz
	*2, *3, *4, *5	三相AC380V (-15%~+10%), 50/60Hz Three-phase AC380V (-15% - + 10%), 50/60 Hz
控制系统 Control System		交流伺服马达 AC servo motor
冷却系统 Cooling System		间接冷却(风冷) Indirect Cooling (Air-cooled)
周边温度 Temperature		0°C~+45°C (运转时 Running); -20°C~+60°C (运输保管时 Transport Custody)
相对湿度 Relative humidity		≤90%RH (无冷凝 No Condensation)
接地 Ground		机器人专用接地系统 Special Earthing System for Robots
存储容量 Storage	记忆介质(存储器) Memory medium (Memory)	CFast卡 (Card)
	记忆容量 Memory capacity	4GB
I/O接口 I/O Ports	通用物理I/O端口 General Purpose Physical I / O Ports	标配输入、输出各16点, 可通过增加模块扩展为输入、输出各64点 Standard configuration input and output 16 points each, can be expanded to 1024 points each input and output by adding modules.
	可扩展总线IO Scalable bus IO	1024
	组IO Group IO	8组可配置 8 groups can be configured
	IO输入规格 Input Specifications	24V, 低电平有效, 高低电平可配 24V low level active, high & low levels can be matched
	IO输出规格 Output Specifications	24V, 低电平有效, 高低电平可配 24V low level active, high & low levels can be matched
接口 Interface		标配接口RS-232, Devicenet主站, Profinet从站, ModbusTCP从站。 可选配接口Devicenet从站, Profinet主站, ModbusTCP主站, CC-LINK从站, EtherNet/IP主从站。 Optional configuration contains: Devicenet slave, Profinet master, ModbusTCP master, CC-link slave, EtherNET/IP master/slave.
防护等级 Protection	*2, *3, *4	IP54 (后隔腔为IP22) (posterior compartment IP22)
	*1	IP32
	*5	IP54

SIASUN 示教器

STBT5A Teach Pendant

触屏示教、功能丰富
Touch screen teaching, feature-rich

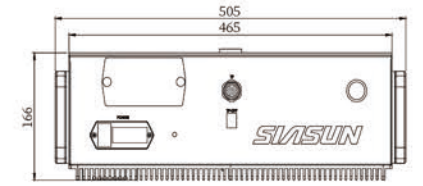
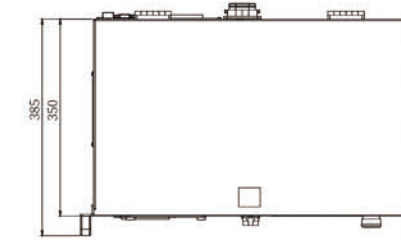
操作更直观、快速、高效
More intuitive, fast and efficient operation

新增热插拔功能, 易于更换
Hot swap function, easy to replace

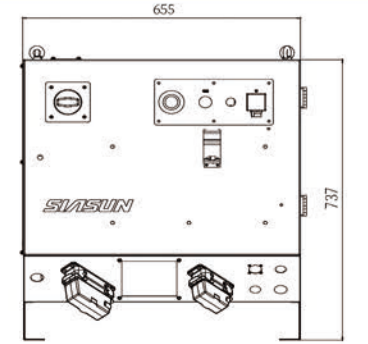
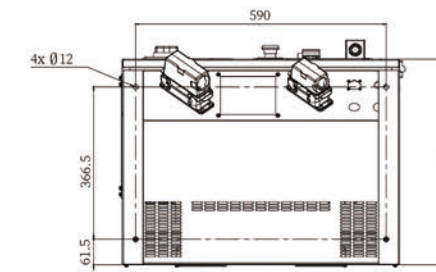
配套多功能软件包, 实现特定生产工艺
Supporting multifunctional software package to realize specific production process

示教器 Teach Pendant	8.0寸液晶屏, 人体工学持握设计 8.0-inch LCD screen, ergonomic grip design
操作 SW Operation	急停按钮, 模式切换 Scam Button, Mode Switch
外部存储装置接口 External storage device interface	USB

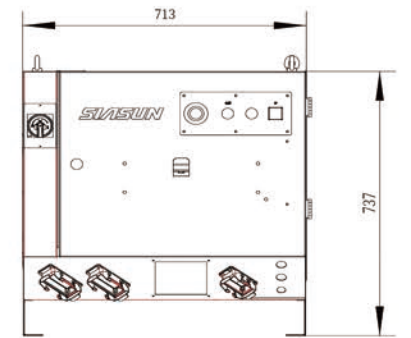
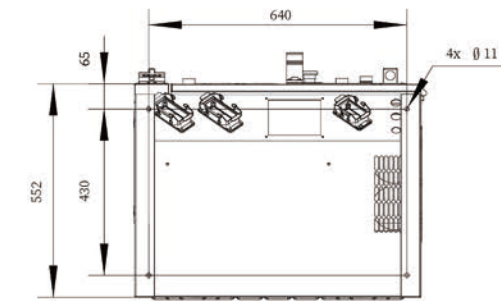
1 SRC C5



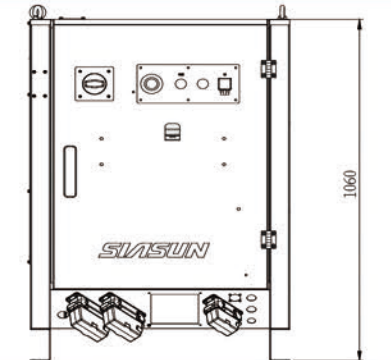
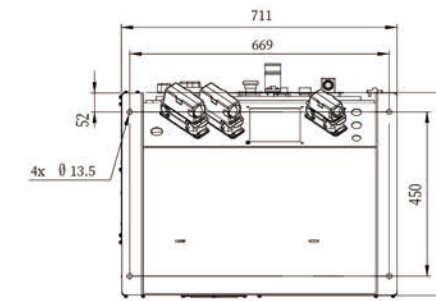
2 SRC M5



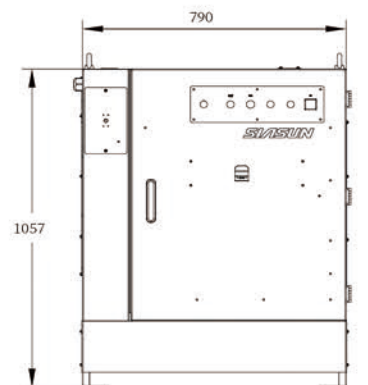
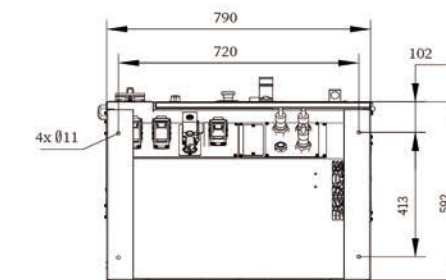
3 SRC E5

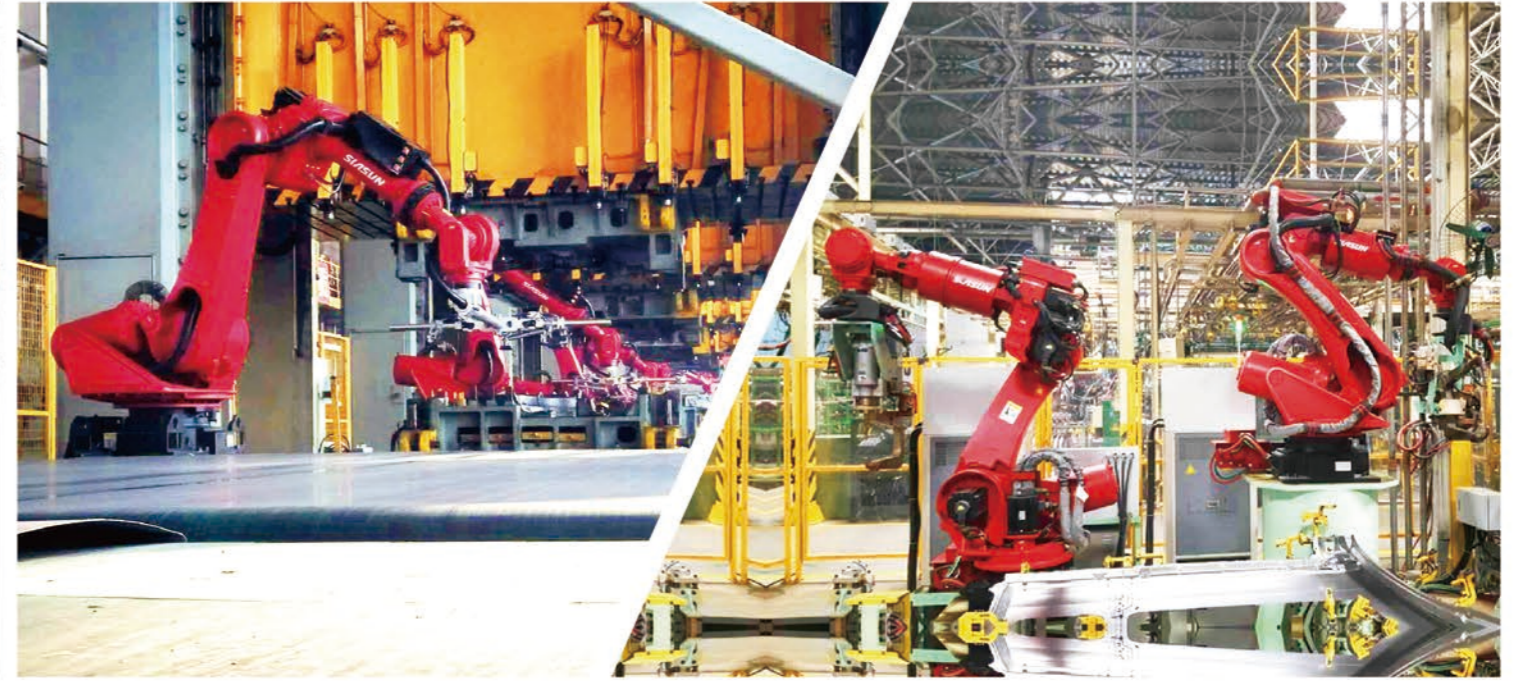
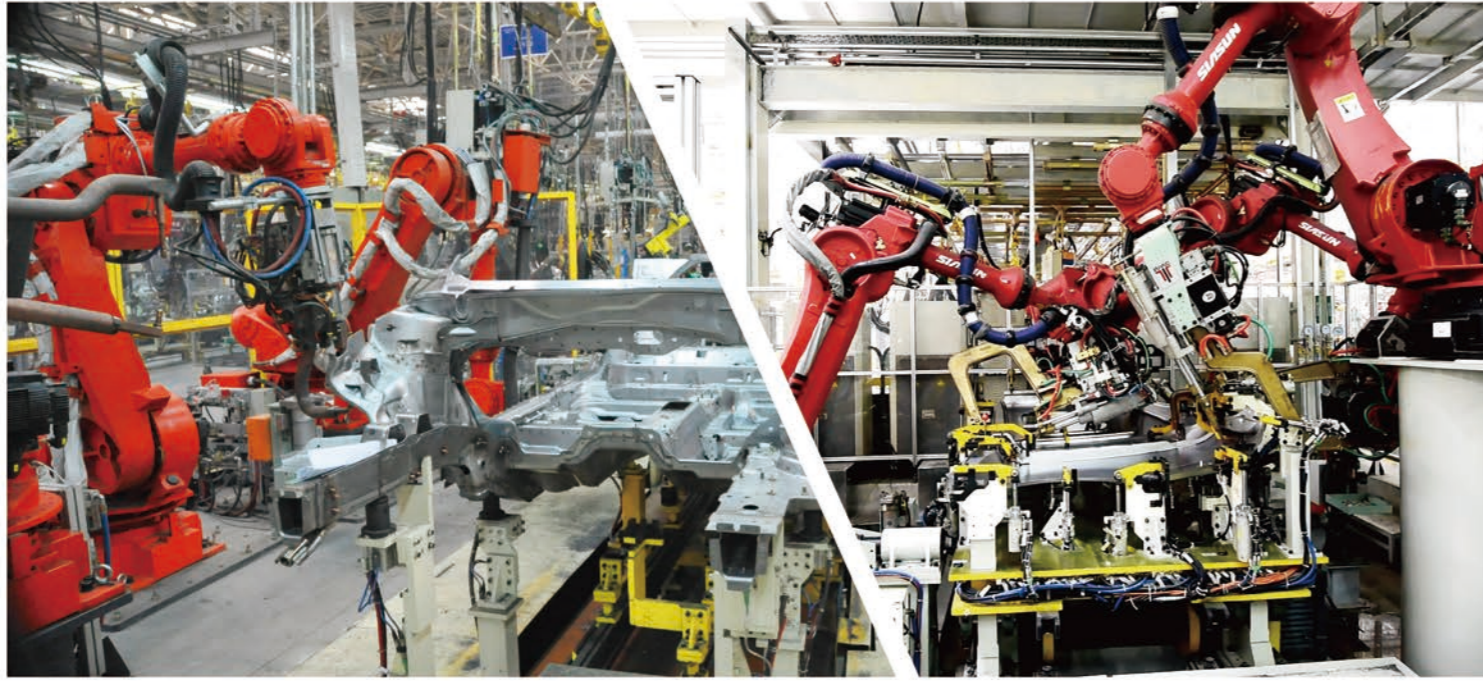


4 SRC G5



5 SRC L5





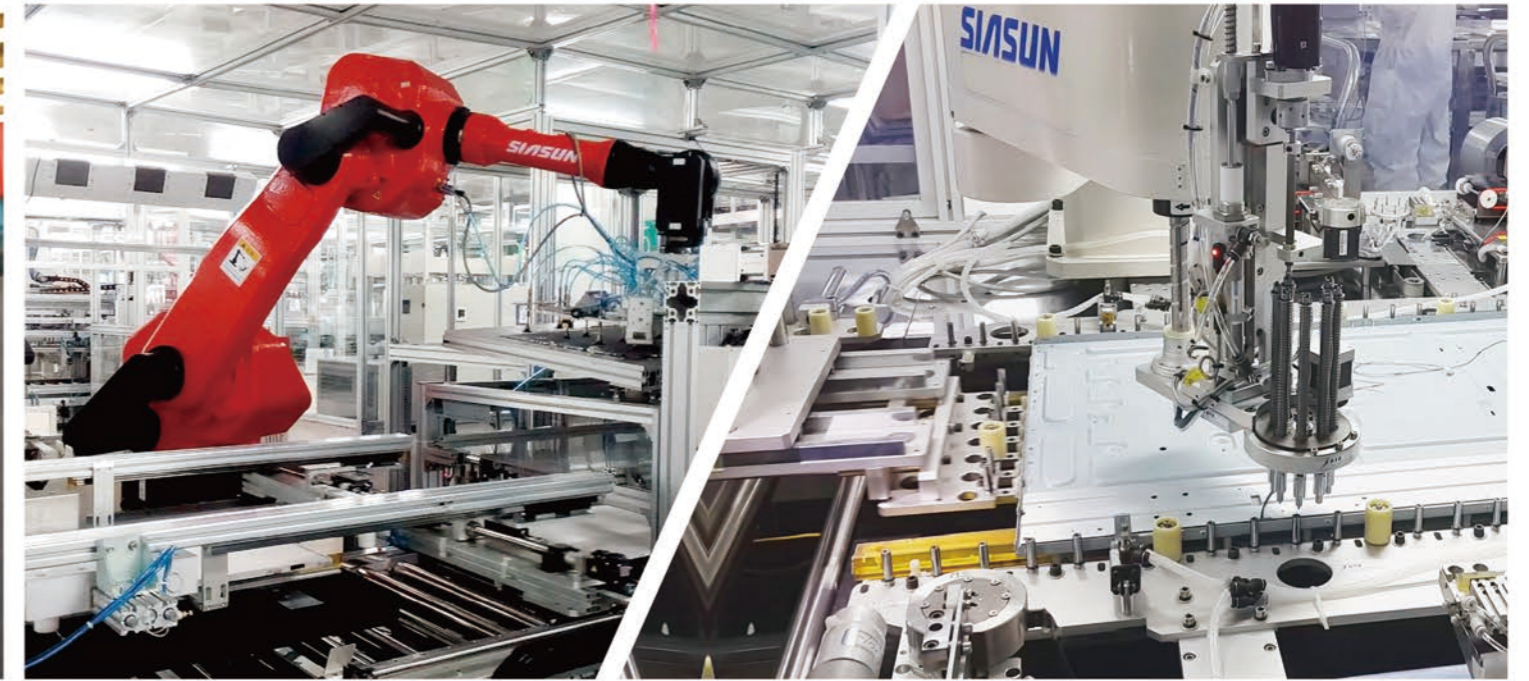
● 汽车 / 汽车零部件行业应用方案

Automotive & Automotive Component Robotics Solutions

- 点焊机器人系统 Spot Welding System
- 弧焊机器人系统 Arc Welding System
- 磨抛系统 Grinding & Polishing System
- 涂胶机器人系统 Gluing System
- 装配机器人系统 Assembly System
- 喷涂系统 Painting System

- 冲压机器人系统 Press System
- 搬运系统 Handling System
- 铆接系统 Clinch System
- 上下料系统 Loading & Unloading System
- 打孔系统 Punching System
- 检测系统 Detection System





● 重型机械行业应用方案

Engineering Machinery Industry Solutions

- 焊接及切割 Welding & Cutting
- 加工上下料 Loading & Unloading
- 喷涂系统 Painting System

● 家电行业应用方案

Household Appliances Industry Solution

- 冲压机器人系统 Press System
- 搬运系统 Handling System
- 装配系统 Assembly System
- 涂胶系统 Sealing System
- 检测系统 Detection System
- 磨抛系统 Grinding & Polishing System
- 上下料系统 Loading & Unloading System
- PCBI 撕模、卡合系统 PCBI Dyestripping & Engaging System





● 电气电子 / 消费电子行业应用方案

Electronics industry Solutions

上下料系统 Loading & Unloading System

焊接系统 Welding System

磨抛系统 Grinding & Polishing System

PCB 电镀线搬运 PCB Plating Line Handling System

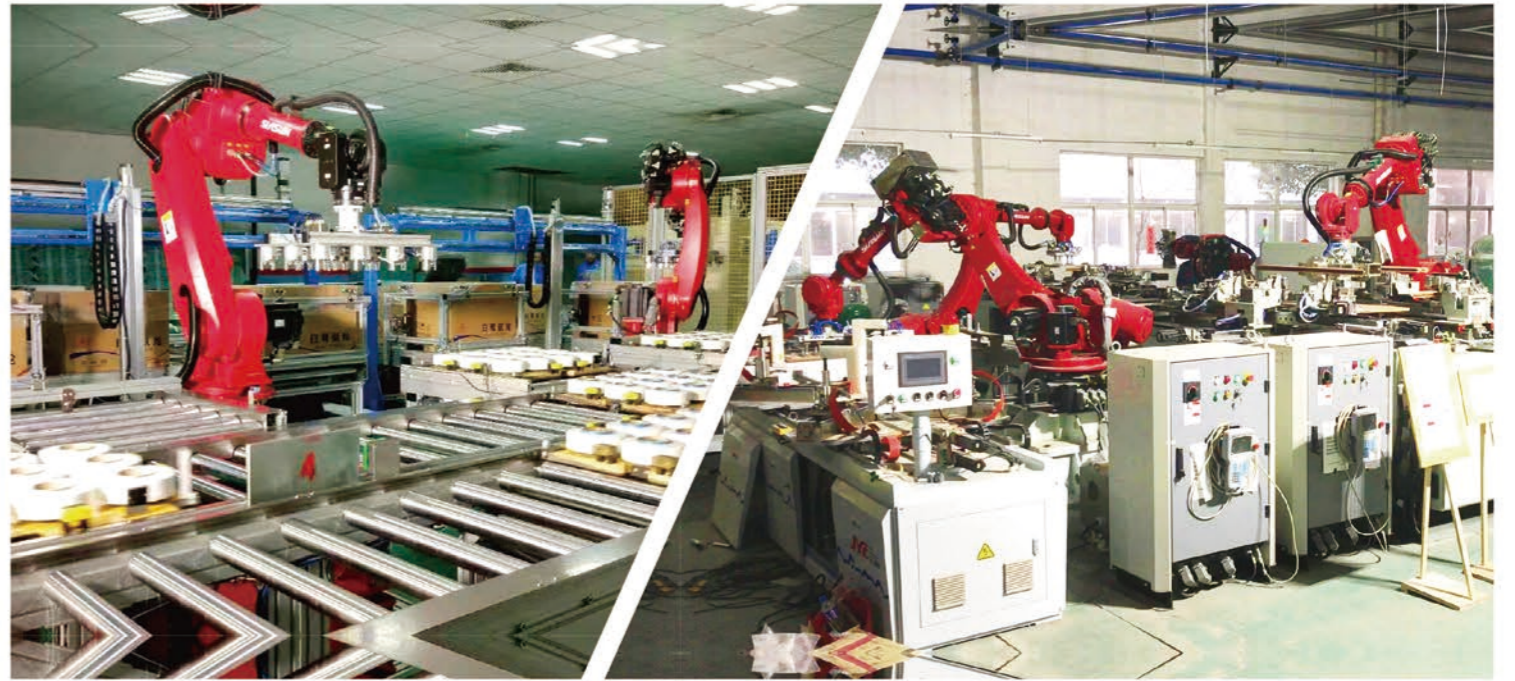
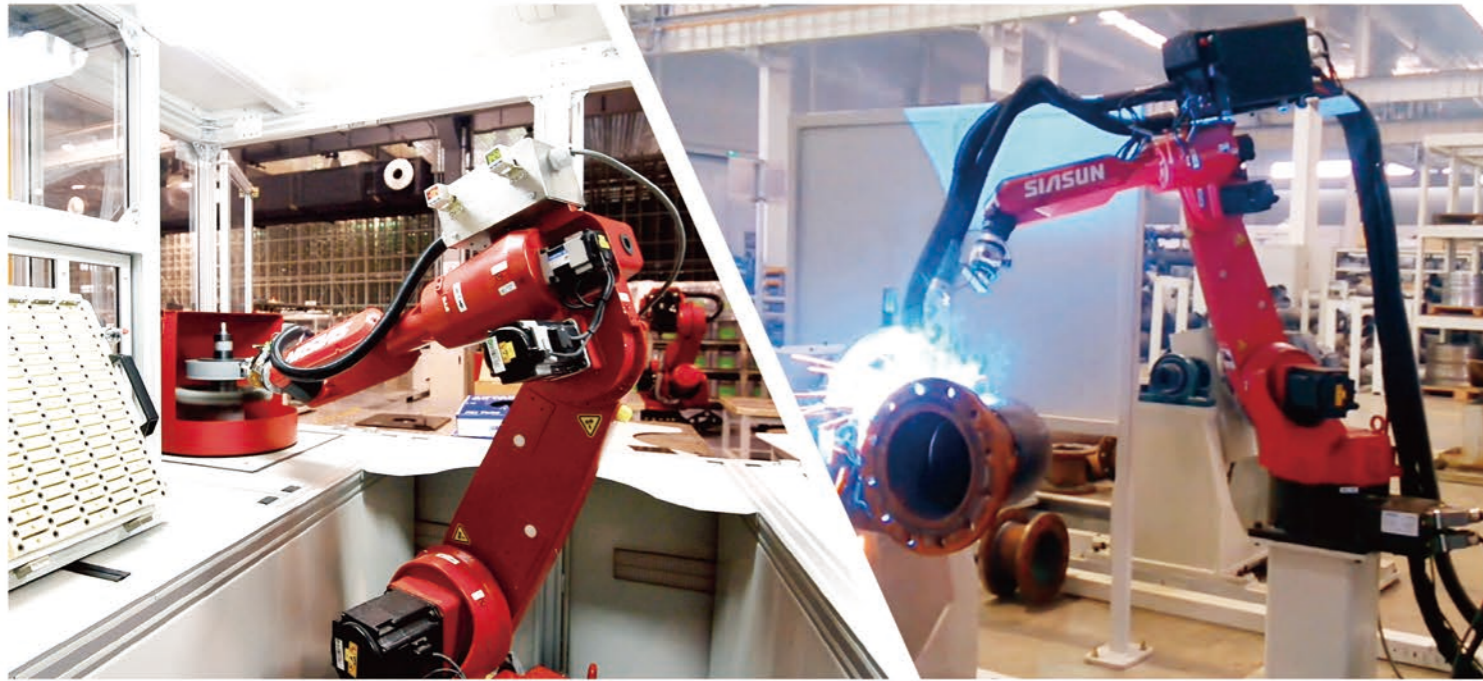
● 食品 / 烟草 / 医疗行业应用方案

Food & Medical industry Solutions

物流搬运 Material Handling

装箱码垛 Packing & Palletizing System





● 一般工业应用方案

General Industry Solutions

焊接及切割 Welding & Cutting

铸锻上下料 Die Cast Unloading

装配 Assembly

物流搬运 Material Handling

加工上下料 Loading/Unloading

磨抛、精加工

Grinding & Polishing , Fine machining

● 纺织 / 化工行业应用解决方案

Textile & Chemical Industry Solutions

分拣包装 Packing & Packing System

物流搬运 Material Handling

码垛系统 Palletizing System

上下料系统 Loading & Unloading System

● 家装制品行业应用方案

Decorating industry Solutions

搬运系统 Handling System

磨抛系统 Grinding & Polishing System

码垛系统 Palletizing System

喷涂系统 Painting System



价值与服务
Value and Service



演绎智能风采的
可靠产品

- 新松工业机器人产品，动作可靠流畅，性能优越，功能丰富，是质量可靠的机器人智能产品。
- 可集成度高，可选配S-Eye、S-Touch等多种智能技术，能够满足智慧工厂的各种智能功能需求。
- 根据各行业的实际应用情况，通过不断改善优化，新松工业机器人产品现与各行业工艺结合十分融洽，行业应用效果良好。

强大的
技术开发实力

- 公司聚集各行业的技术专家，从设计到生产拥有专业的人才队伍，拥有院士2名，70%以上的高学历人才队伍。
- 时刻关注国际科技前沿，与国际组织保持密切沟通与联系，新松机器人始终位于主流机器人行业内。

遍布全国的
服务网络

- 营销及技术服务团队覆盖全国主要地区，遍及欧洲及东南亚。
- 为集成商、代理商提供公平，优质的营销环境，一同维护品牌竞争力，为客户持续提供价值。

完善的
售后服务体系

- 专门针对客户设立的产品培训中心
- 国内快速响应及应急中心
- 专业的售后服务团队
- 7*24h的售后保障
- 可靠的保养维护及技术支持服务



Reliable products that perform real intelligence

- Siasun industrial robot products, with reliable and smooth operation, superior performance and rich functions, are the world's leading robotic intelligent products.
- High integration, optional S-Eye, S-Touch and other intelligent technologies to meet the various intelligent functions of smart factories.
- According to the actual application of various industries, through continuous improvement and optimization, Siasun industrial robot products are now well integrated with various industries and the industry has a good application effect.

A nationwide service network

- The marketing and technical service team covers major regions across China, including oversea market.
- Provide fair and high-quality marketing environment for integrators and agents, jointly maintain brand competitiveness, and continuously provide value to customers.

International first-class technology development strength

- The company has gathered technical experts from various industries, and has a professional talent team from design to production. It has 2 academicians and more than 70% of highly educated talents.
- Always pay attention to the frontiers of international science and technology, and maintain close communication and contact with international organizations, so that Siasun always maintains its leading position in the robot industry.

Perfect after-sales service system

- Product training center for customers.
- Domestic Rapid Response and Emergency Center.
- Professional after-sales service team.
- 7*24h after-sales guarantee.
- Reliable maintenance and technical support services.

INDUSTRY
POSITION 行业地位

- 机器人国家工程研究中心
- 国家八六三计划智能机器人主题产业化基地
- 中国机器人标准化总体组组长单位
- 中国机器人产业联盟理事长单位
- 中国移动机器人 (AGV/AMR) 产业联盟理事长单位
- 国家技术标准创新基地 (机器人) 牵头单位
- 国家91家创新型企业
- 中国科学院机器人与智能制造创新联盟理事长单位
- 中国机器人产业技术创新战略联盟理事长单位
- 中国机器人协会 (筹) 会长单位

- National Robotic Engineering Research Center
- National '863' Program Intellectual Robot Industrialization Base
- Leader of National Robot Standardized Group
- President unit of CRIA
- China Mobile Robot and AGV/AMR Industry Alliance President Unit
- National Technical Standards Innovation Base of Robot Leading Unit
- 91 Innovation Enterprise
- President unit of TIIR
- President unit of TISAR
- China Robot Association(preparatory) President Unit

